




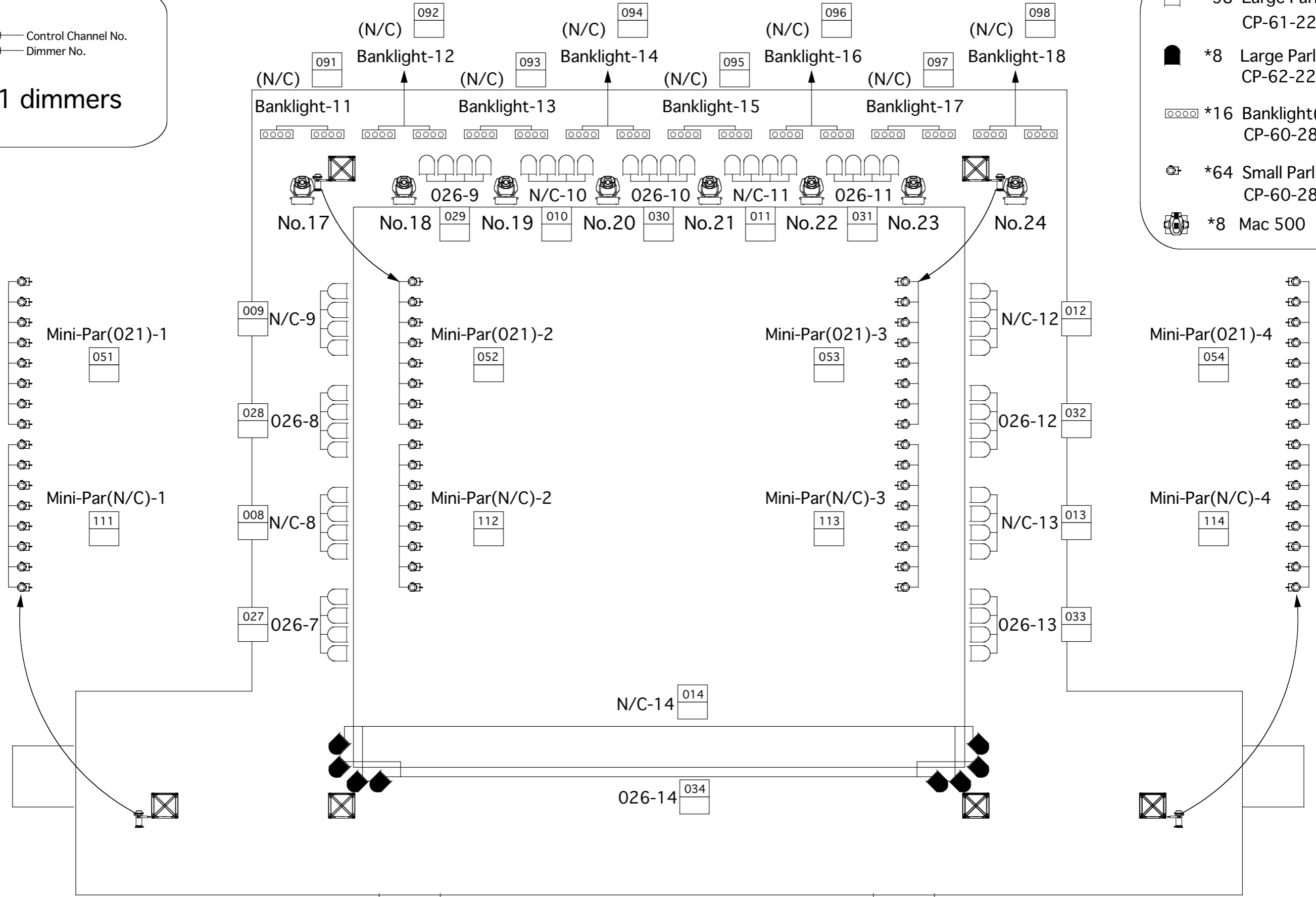


← Control Channel No.
 ### ← Dimmer No.

31 dimmers

- KEYS**
-  *58 Large Parlight CP-61-220V(N)
 -  *8 Large Parlight CP-62-220V(M)
 -  *16 Banklight(4-lamp) CP-60-28V(VN)
 -  *64 Small Parlight CP-60-28V(VN)
 -  *8 Mac 500



2004 Goseong Dinosaur Wold Festival Lighting Plot <Floor> Ver.040413